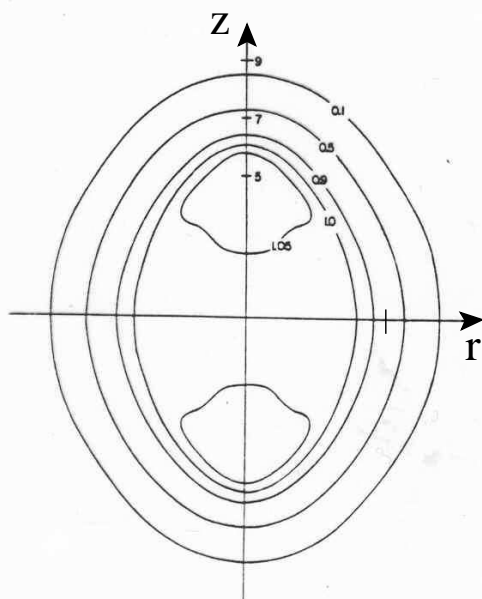
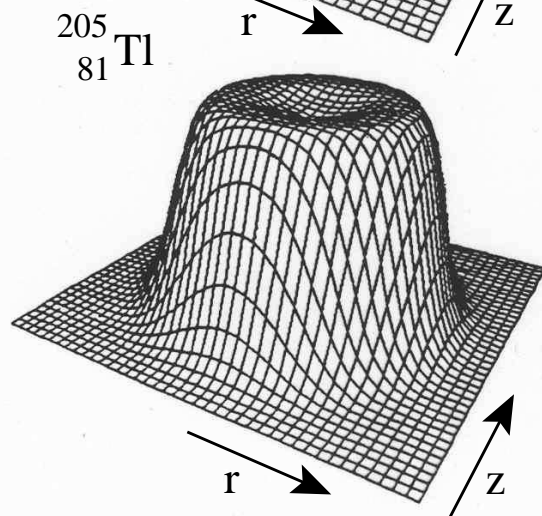
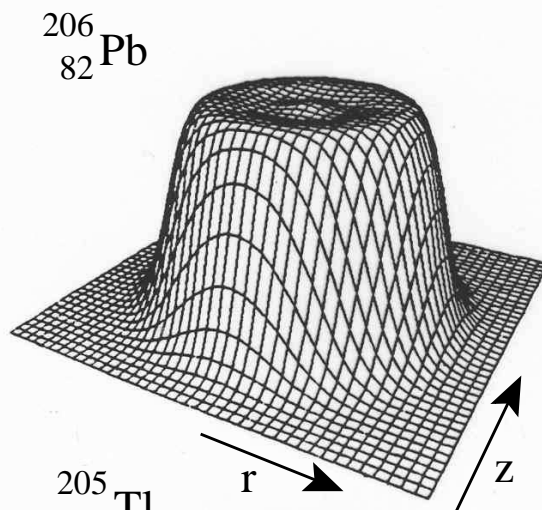
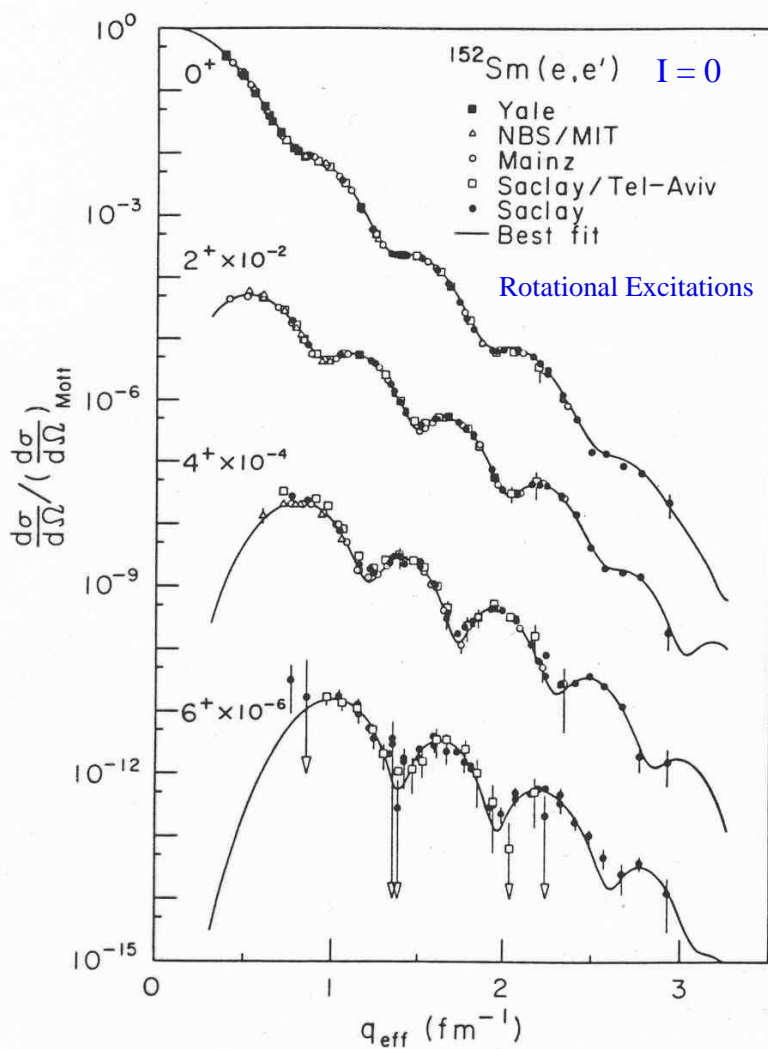


# Charge Density Distribution



$^{152}_{62}\text{Sm}$

